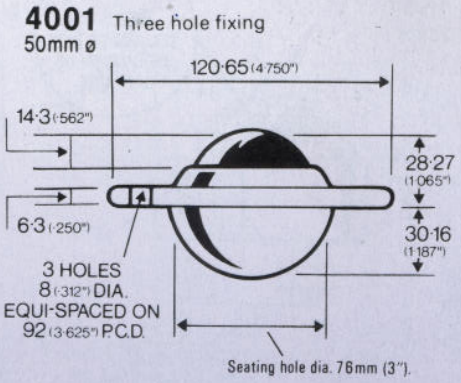
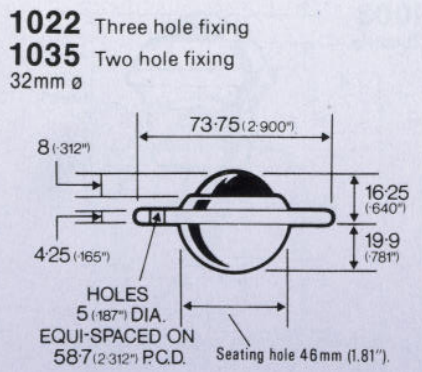
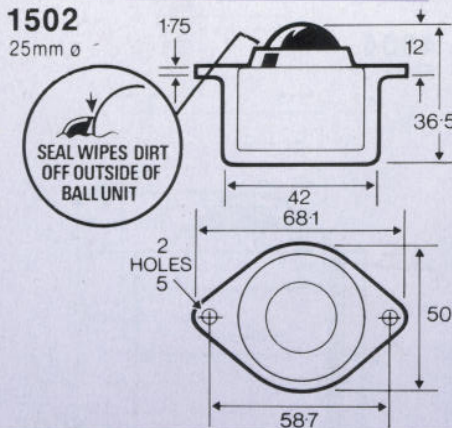
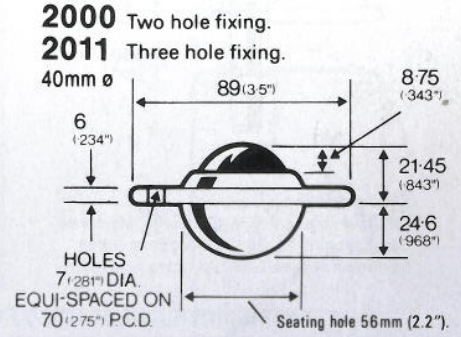
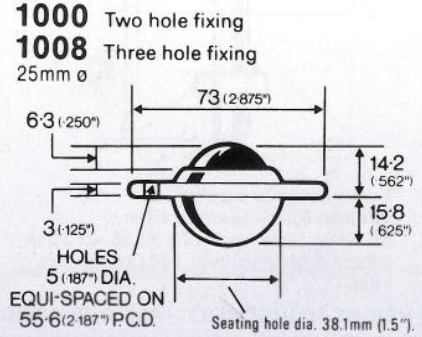
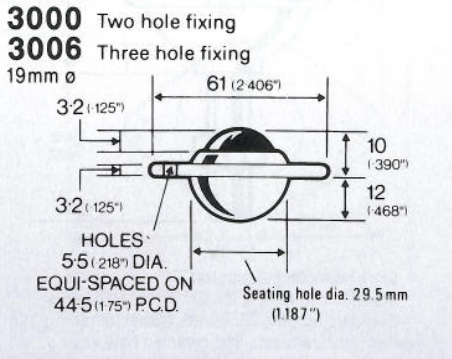


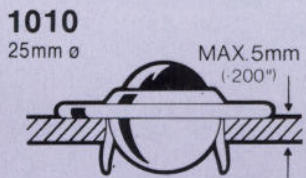
FLANGE FITTINGS - STANDARD RANGE



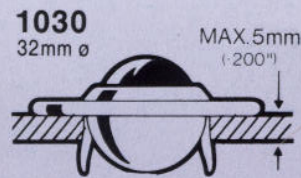
REF.	BALL SIZE	WEIGHT	TYPE 13 STEEL BEARINGS ZINC PLATED PRESSINGS		TYPE 14 NYLON MAIN BEARING ZINC PLATED PRESSINGS		TYPE 15 STAINLESS BEARINGS AND PRESSINGS		TYPE 16 STAINLESS BEARINGS ZINC PLATED PRESSINGS		SPECIAL FEATURES
			LOAD UP	LOAD DOWN	LOAD UP	LOAD DOWN	LOAD UP	LOAD DOWN	LOAD UP	LOAD DOWN	
3000	19mm	80g	25kg	10kg	20kg	N/A	25kg	10kg	25kg	10kg	Self Cleaning Hole Foam Seal
3006	(3/4")	80g	25kg	10kg	20kg	N/A	25kg	10kg	25kg	10kg	
1000	25mm (1")	175g	55kg	25kg	25kg	N/A	55kg	25kg	55kg	25kg	Self Cleaning Hole Foam Seal
1008		175g	55kg	25kg	25kg	N/A	55kg	25kg	55kg	25kg	
1010		180g	55kg	25kg	25kg	N/A	55kg	25kg	55kg	25kg	
1502	25mm (1")	200g	100kg	50kg	25kg	N/A	100kg	50kg	100kg	50kg	Self Cleaning Hole Moulded Plastic Seal
1022	32mm (1 1/4")	260g	125kg	55kg	25kg	N/A	125kg	55kg	125kg	55kg	Self Cleaning Hole Foam Seal
1030		260g	125kg	55kg	25kg	N/A	125kg	55kg	125kg	55kg	
1035		260g	125kg	55kg	25kg	N/A	125kg	55kg	125kg	55kg	
2000	40mm (1 9/16")	480g	140kg	60kg	N/A	N/A	140kg	60kg	140kg	60kg	Self Cleaning Hole Foam Seal
2002		640g	225kg	60kg	N/A	N/A	225kg	100kg	225kg	100kg	
2011		480g	140kg	60kg	N/A	N/A	140kg	60kg	140kg	60kg	
4001	50mm (2")	1kg	340kg	100kg	N/A	N/A	250kg	100kg	340kg	100kg	Foam Seal Self Cleaning Hole



SPRING CLIP FITTING



Dimensions as Ball Unit 1008 above. A hole 50mm (1.96") ± 0.2mm (.008") dia. is required for unit to clip in.



Dimensions as Ball Unit 1022 above. A hole 50mm (1.96") ± 0.2mm (.008") dia. is required for unit to clip in.

JUST PUSH UNIT INTO HOLE FROM ABOVE - PRIZE OUT TO REPLACE.

ADVANTAGES

1. Easy assembly.
2. Replacements or exchanges made in seconds.
3. At floor level platforms do not have to be lifted to change units. Self cleaning hole standard.

2002 XTRA TUF

